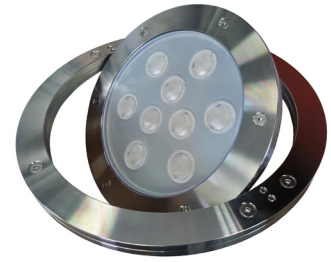


Pivoting Slab Hanger LED Light - SHLED-P Series

Function

The Aquashi Pivoting Slab Hanger LED light is designed for illuminating walls and sculptural elements. By pivoting the light fixture the user is able to direct the light towards the wall or sculpture for directed illumination. Can be rotated on a 360° axis with 85° angle adjustment.

Available in white LED as on/off control for non-sequencing fountains or as optional DMX control for sequenced fountains. Auto colour changing available for DMX controlled RGBW lights. DMX controlled white light are dimmable as well as sequencing.



Specifications

Power

30W - 35W

Operating Voltage

12-24V DC

Min. - Max Voltage

11V DC - 30V DC

Operating mode:

Constant Current

Colours

RGBW / White

No. of LED

6 (RGBW)

9 (white)

Beam Angle:

30 ° as standard / Optional 15 & 45 ° lens (custom lens available upon request)

RGBW LED type

4 in 1 Cree LED

Dimmable:

DMX control

(0-10V DC available upon request)

Reverse polarity protection: Yes

Transient spike protection: Yes

High temperature protection: Yes

EMC complaint: Yes

Cable

4 C - 1 mm² (DMX light)

2 C - 1.5 mm² (White light)

Standard Cable Length

2 m (Custom length available on request)

Material:

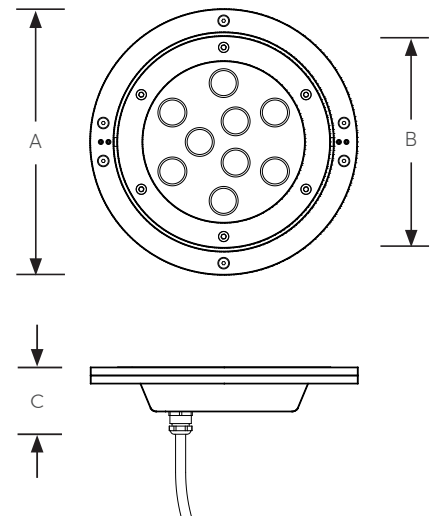
Stainless steel 316

Front Cover:

Polycarbonate clear cover with UV Protection

Protection Rating:


IP 68, IK 10



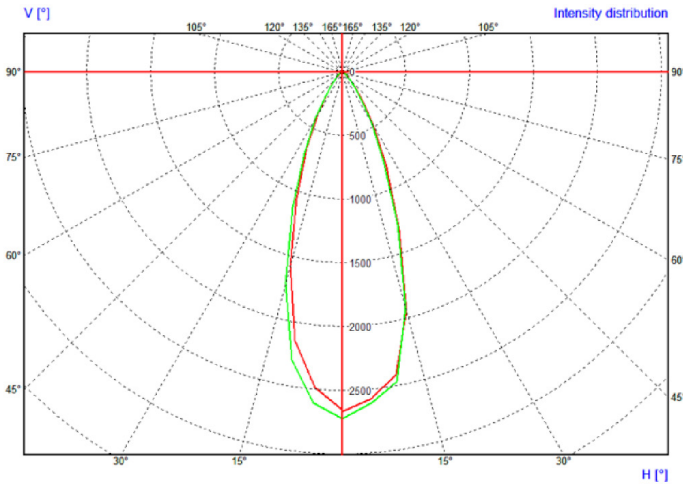
Model No.	Description	Material	Colour	Control	Power (W)	Luminous flux (lm)	A (mm)	B (mm)	C (mm)
SHLED-P-S035	RGBW Pivoting Slab Hanger LED light	Stainless steel 316	RGBW	DMX	35	1422	212	169	60
SHLED-P-S031	Cool white Pivoting Slab Hanger LED light	Stainless steel 316	Cool white	On/off	30	2146	212	169	60
SHLED-P-S032	Warm white Pivoting Slab Hanger LED light	Stainless steel 316	Warm white	On/off	30	1782	212	169	60

* Add suffix DMX to model number to order DMX controlled white light. i.e. SHLED-P-S031-DMX

* Add suffix AUTO to model number to order Auto colour changing effect for RGBW light. i.e. SHLED-P-S035-AUTO

Pivoting Slab Hanger LED Light	SHLED-P Series	Model No. SHLED-P	Rev. 2	
<p>The information contained in this drawing is the sole property of Aquashi. Any reproduction in part or as a whole without the written permission of Aquashi is prohibited. Aquashi reserves the right to update all designs, specifications and data sheets without prior notice.</p>				

Pivoting Slab Hanger LED Light - SHLED-P Series



F Photometric Polar diagram: (RGBW)

SHLED-P-S031 - Cool White

Color Rendering Index [CRI] - 80.3
 Correlated Color Temperature (K) [CCT] - 5700

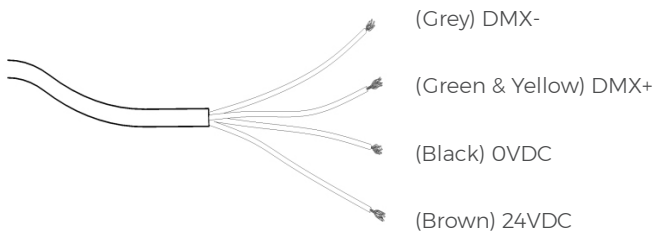
SHLED-P-S032 - Warm White

Color Rendering Index [CRI] - 85.3
 Correlated Color Temperature (K) [CCT] - 3056

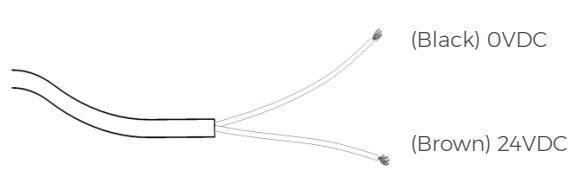
*IES files available on request.

Connection Diagram

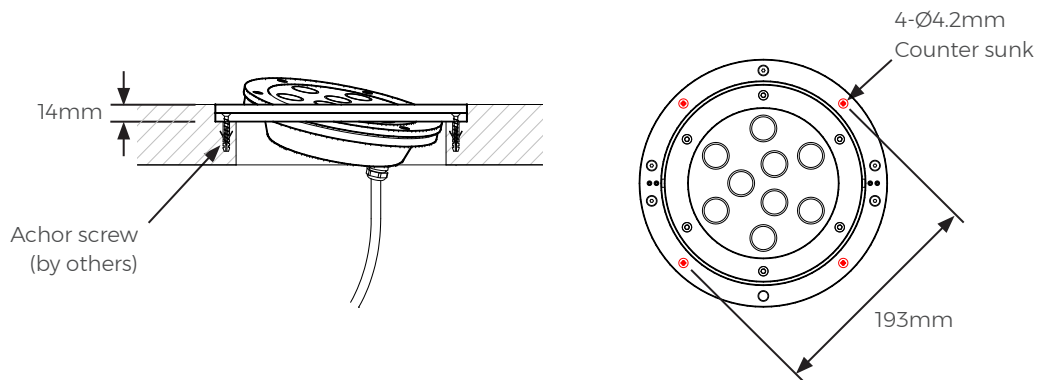
RGBW Light Cable




Warm White/ Cool White Light Cable



General Dimensions



Pivoting Slab Hanger LED Light	SHLED-P Series	Model No. SHLED-P	Rev. 2	
The information contained in this drawing is the sole property of Aquashi. Any reproduction in part or as a whole without the written permission of Aquashi is prohibited. Aquashi reserves the right to update all designs, specifications and data sheets without prior notice.				